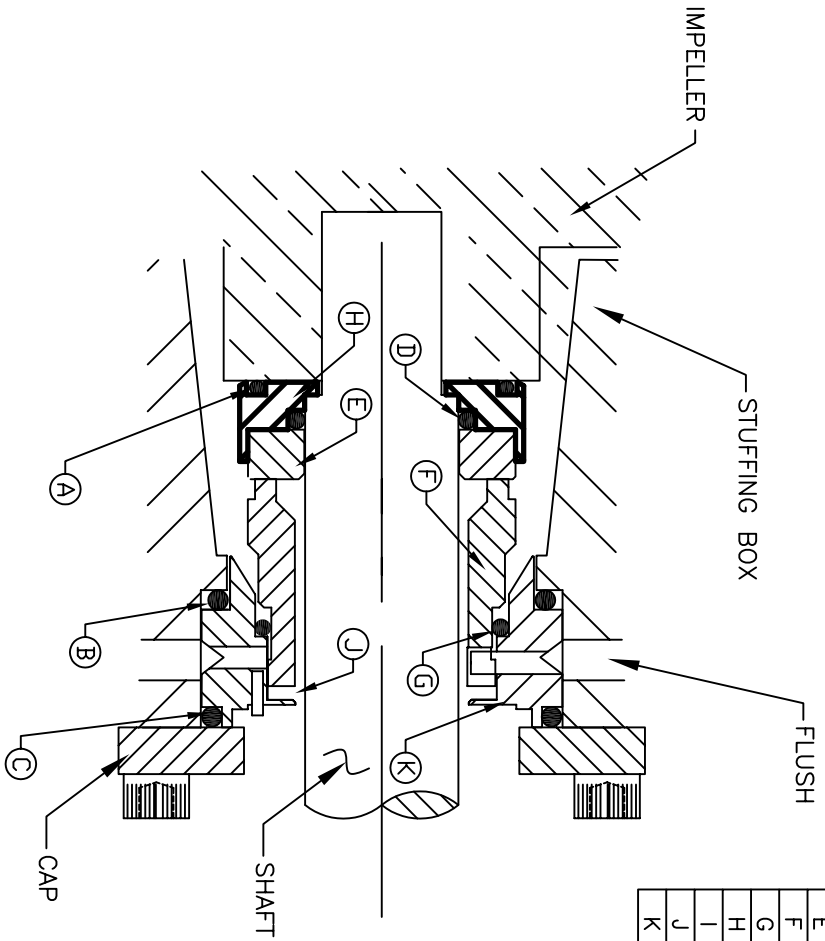


SEAL SIZE - 22mm Sgl Seal TYPE - FRISTAM

BILL OF MATERIAL

NO	QTY	DESCRIPTION	LENGTH	MATERIAL	DRAWING #	SHEET #
ASSY	1	FRISTAM SEAL ASSEMBLY	---	---	F086-1	1
A	1	ROTARY COLLAR O-RING	---	EPR	-026	1
B	1	GLAND INNER O-RING	---	EPR	-129	1
C	1	GLAND OUTER O-RING	---	EPR	-222	1
D	1	SHAFT O-RING	---	EPR	-118	1
E	1	ROTARY INSERT	---	SIC	---	6
F	1	STATIONARY	---	CARBON	F022-049900-5	5
G	1	STATIONARY O-RING	---	EPR	-123	1
H	1	ROTARY COLLAR	---	316L	---	4
I	1	ROTARY ASSEMBLY	---	SIC/316L	F022-039900-2	1
J	1	WAVE SPRING	---	17-7 PH	WS086	1
K	1	GLAND	---	316L	F022-049908-1	3

SEAL KIT CONSISTS OF: A, B, C, D, F, G, I, J



NOTES:
THIS IS PROPERTY OF ZMT, INC.
USE OR MAKING COPIES OF THIS
DRAWING WITHOUT WRITTEN
AUTHORIZATION IS IS PROHIBITED.

DATE: 6/20/04		DRAWN BY: RE		DWG #: F086-1		SHEET #: 1 OF 8		APPROVED: RE		Date: 6/21/04	
TITLE: ZMT FRISTAM SEAL ASSEMBLY		REV: --		REV: --		REV: --		REV: --		REV: --	

REV	DESCRIPTION	BY	DATE

SEAL SIZE - 22mm Sgl Seal

TYPE - FRISTAM

BILL OF MATERIAL

NO	QTY	DESCRIPTION	LENGTH	MATERIAL	DRAWING #	SHEET #
ASSY	1	FRISTAM SEAL ASSEMBLY	--	--	F086-1	1
A	1	ROTARY COLLAR O-RING	--	EPR	-026	1
B	1	GLAND INNER O-RING	--	EPR	-129	1
C	1	GLAND OUTER O-RING	--	EPR	-222	1
D	1	SHAFT O-RING	--	EPR	-118	1
E	1	ROTARY INSERT	--	SIC	--	6
F	1	STATIONARY	--	CARBON	F022-049900-5	5
G	1	STATIONARY O-RING	--	EPR	-123	1
H	1	ROTARY COLLAR	--	316L	--	4
I	1	ROTARY ASSEMBLY	--	SIC/316L	F022-039900-2	1
J	1	WAVE SPRING	--	17-7 PH	WS086	1
K	1	GLAND	--	316L	F022-049908-1	3

SEAL SIZE - 22mm Dbl Seal

TYPE - FRISTAM

BILL OF MATERIAL

NO	QTY	DESCRIPTION	LENGTH	MATERIAL	DRAWING #	SHEET #
ASSY	1	FRISTAM SEAL ASSEMBLY	--	--	F086-2	1
A	1	ROTARY COLLAR O-RING	--	EPR	-026	1
B	1	GLAND INNER O-RING	--	EPR	-129	1
C	1	GLAND OUTER O-RING	--	EPR	-222	1
D	2	SHAFT O-RING	--	EPR	-118	1
E	1	ROTARY INSERT	--	SIC	--	6
F	1	STATIONARY	--	CARBON	F022-049900-5	5
G	1	STATIONARY O-RING	--	EPR	-123	1
H	1	ROTARY COLLAR	--	316L	--	4
I	1	ROTARY ASSEMBLY	--	SIC/316L	F022-039900-2	1
J	2	WAVE SPRING	--	17-7 PH	WS086	1
K	1	GLAND	--	316L	F022-049908-1	3
L	1	OUTER STATIONARY	--	SIC	F022-040700-2	8
M	1	OUTER ROTARY INSERT	--	CARBON	F022-030709-5	9
N	1	OUTER ROTARY RETAINER	--	316L	F022-030710-1	11
O	4	SET SCREWS	--	316L	8-32X3/8	1
P	1	OUTER STATIONARY O-RING	--	EPR	-027	1

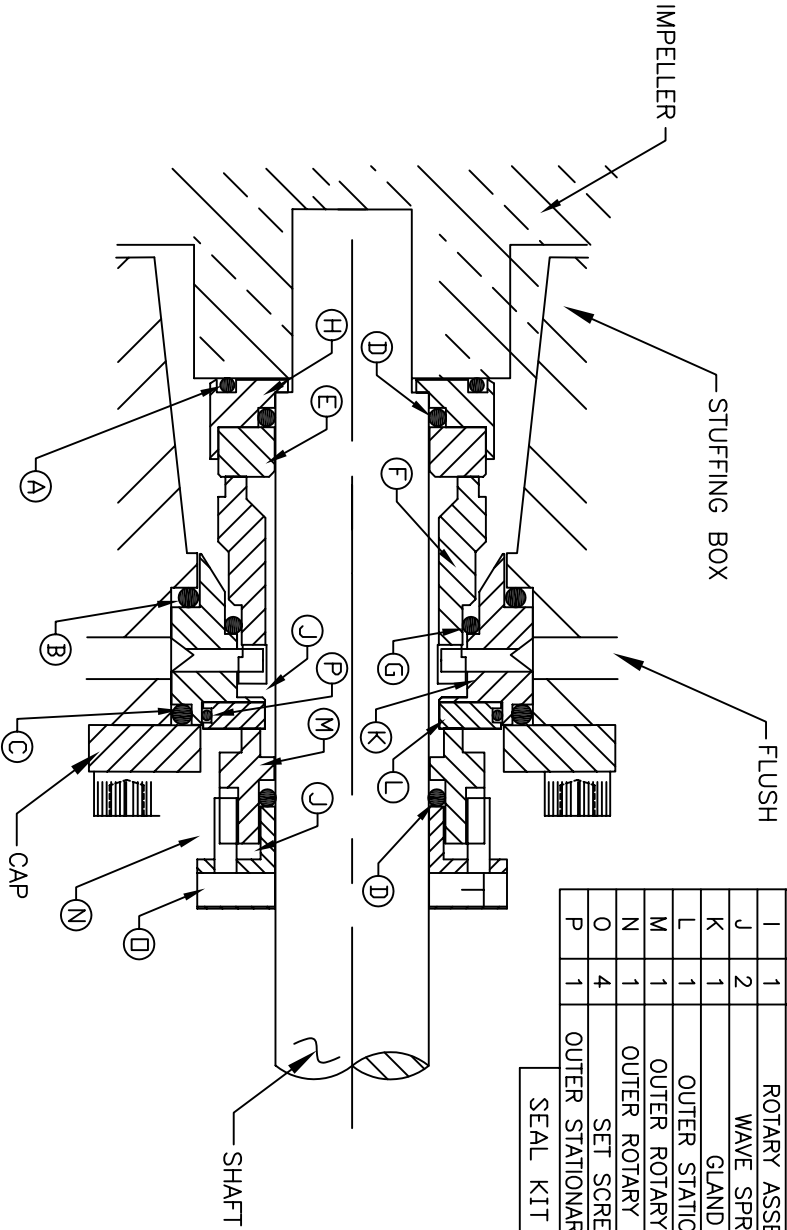
SEAL SIZE - 22mm Dbl Seal

TYPE - FRISTAM

BILL OF MATERIAL

NO	QTY	DESCRIPTION	LENGTH	MATERIAL	DRAWING #	SHEET #
ASSY	1	FRISTAM SEAL ASSEMBLY	---	---	FO86-2	1
A	1	ROTARY COLLAR O-RING	---	EPR	-026	1
B	1	GLAND INNER O-RING	---	EPR	-129	1
C	1	GLAND OUTER O-RING	---	EPR	-222	1
D	2	SHAFT O-RING	---	EPR	-118	1
E	1	ROTARY INSERT	---	SIC	---	6
F	1	STATIONARY	---	CARBON	F022-049900-5	5
G	1	STATIONARY O-RING	---	EPR	-123	1
H	1	ROTARY COLLAR	---	316L	---	4
I	1	ROTARY ASSEMBLY	---	SIC/316L	F022-039900-2	1
J	2	WAVE SPRING	---	17-7 PH	WS086	1
K	1	GLAND	---	316L	F022-049908-1	3
L	1	OUTER STATIONARY	---	SIC	F022-040700-2	8
M	1	OUTER ROTARY INSERT	---	CARBON	F022-030709-5	9
N	1	OUTER ROTARY RETAINER	---	316L	F022-030710-1	11
O	4	SET SCREWS	---	316L	8-32X3/8	1
P	1	OUTER STATIONARY O-RING	---	EPR	-027	1

SEAL KIT CONSISTS OF: B, C, D, F, G, I, J, L, M, D, P



2250 STEWART ST. UNIT #6
STOCKTON CA. 95205
PHONE (209) 547-1965
FAX (209) 464-8140

TITLE: ZMT FRISTAM SEAL ASSEMBLY

DATE: 6/20/04

22mm DBL SEAL

GLAND STY: E

DRAWN BY: RE

DWG #: F086-2

REV

SHEET #: 1 OF 11

APPROVED: RE

Date: 6/21/04

NOTES:
THIS IS PROPERTY OF ZMT, INC.
USE OR MAKING COPIES OF THIS
DRAWING WITHOUT WRITTEN
AUTHORIZATION IS IS PROHIBITED.

REV

DESCRIPTION

BY

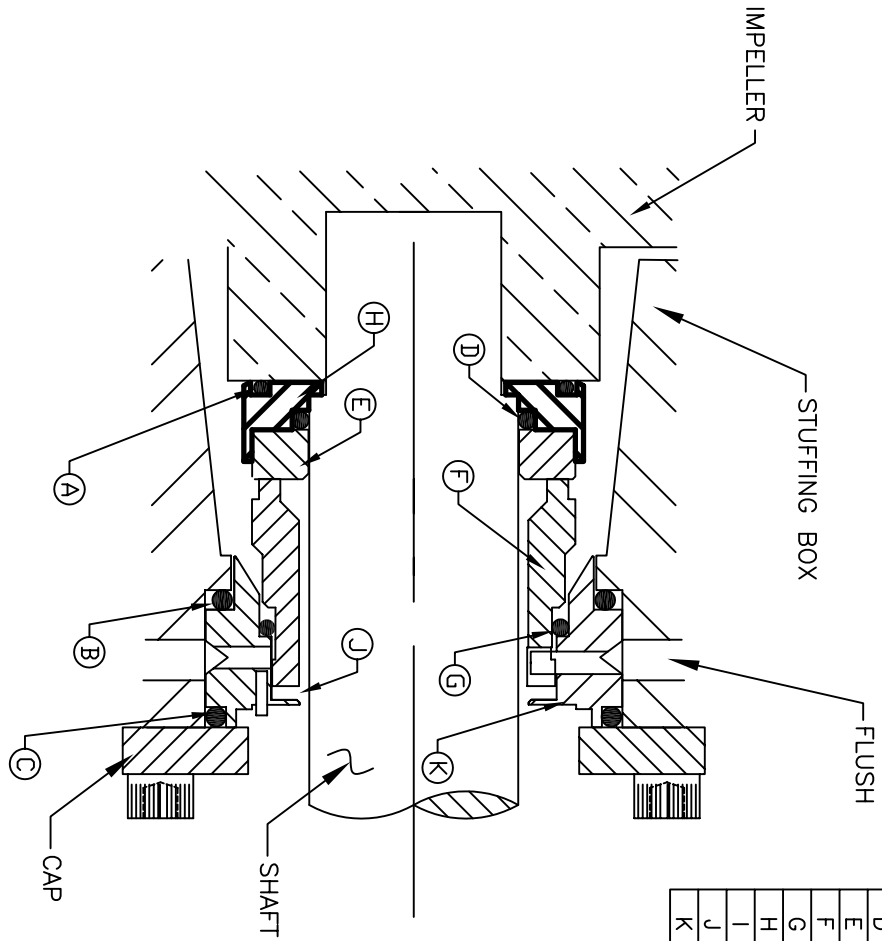
DATE

SEAL SIZE - 30mm Sgl Seal TYPE - FRISTAM

BILL OF MATERIAL

NO	QTY	DESCRIPTION	LENGTH	MATERIAL	DRAWING #	SHEET #
ASSY	1	FRISTAM SEAL ASSEMBLY	---	--	F118-1	1
A	1	ROTARY COLLAR O-RING	---	EPR	-030	1
B	1	GLAND INNER O-RING	---	EPR	-226	1
C	1	GLAND OUTER O-RING	---	EPR	-227	1
D	1	SHAFT O-RING	---	EPR	-123	1
E	1	ROTARY INSERT	---	SIC	--	6
F	1	STATIONARY	---	CARBON	F030-049900-5	5
G	1	STATIONARY O-RING	---	EPR	-129	1
H	1	ROTARY COLLAR	---	316L	--	4
I	1	ROTARY ASSEMBLY	---	SIC/316L	F030-039900-2	1
J	1	WAVE SPRING	---	17-7 PH	WS118	1
K	1	GLAND	---	316L	F030-049908-1	3

SEAL KIT CONSISTS OF: A, B, C, D, F, G, I, J



ZM TECHNOLOGIES
 2250 STEWART ST. UNIT #6
 STOCKTON CA, 95205
 PHONE (209) 547-1965
 FAX (209) 464-8140

NOTES:
 THIS IS PROPERTY OF ZMT, INC.
 USE OR MAKING COPIES OF THIS
 DRAWING WITHOUT WRITTEN
 AUTHORIZATION IS IS PROHIBITED.

DATE: 6/20/04		DRAWN BY: RE		DWG #: F118-1		SHEET #: 1 OF 8		APPROVED: RE		Date: 6/21/04	
TITLE: ZMT FRISTAM SEAL ASSEMBLY		GLAND STYLE: 30mm SINGLE SEAL		REV: -		REV: -		REV: -		REV: -	

REV	DESCRIPTION	BY	DATE

SEAL SIZE - 30mm Sgl Seal

TYPE - FRISTAM

BILL OF MATERIAL

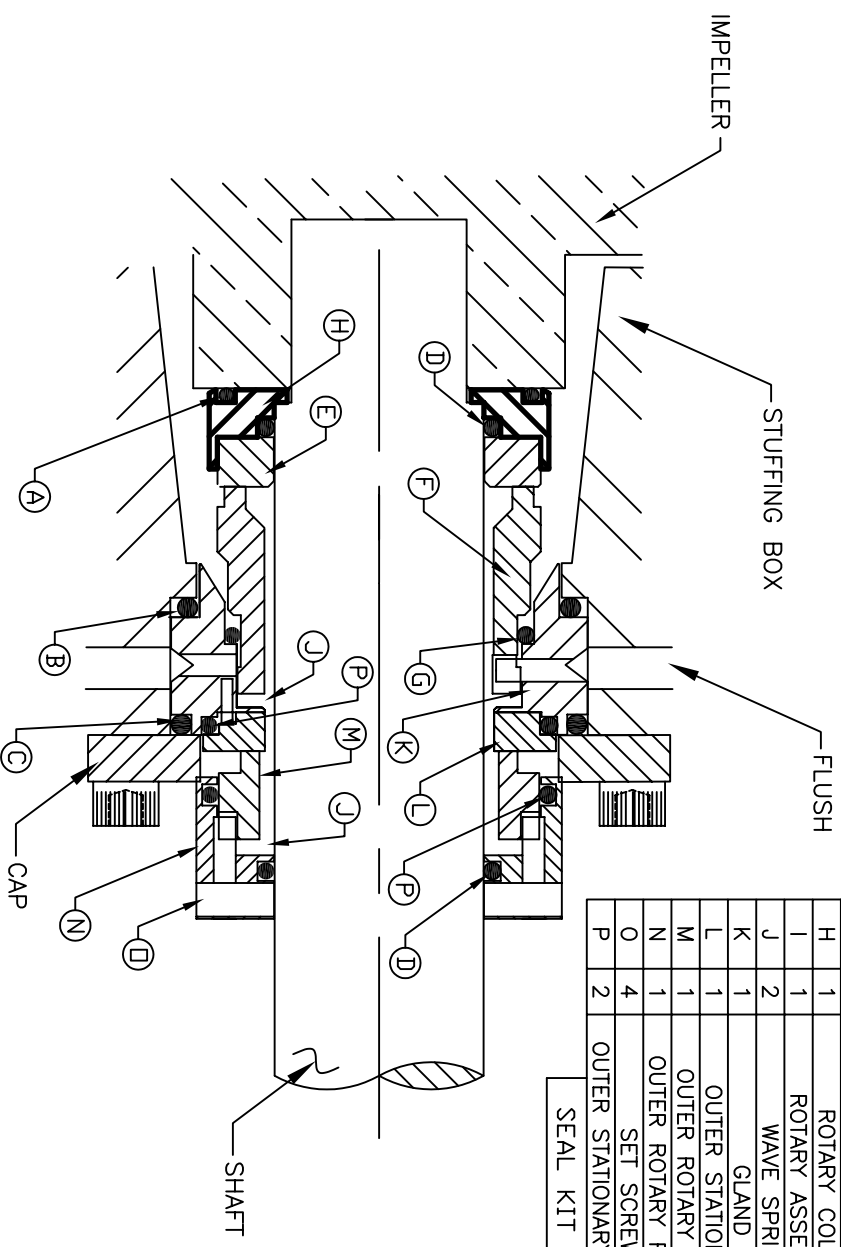
NO	QTY	DESCRIPTION	LENGTH	MATERIAL	DRAWING #	SHEET #
ASSY	1	FRISTAM SEAL ASSEMBLY	--	--	F118-1	1
A	1	ROTARY COLLAR O-RING	--	EPR	-030	1
B	1	GLAND INNER O-RING	--	EPR	-226	1
C	1	GLAND OUTER O-RING	--	EPR	-227	1
D	1	SHAFT O-RING	--	EPR	-123	1
E	1	ROTARY INSERT	--	SIC	--	6
F	1	STATIONARY	--	CARBON	F030-049900-5	5
G	1	STATIONARY O-RING	--	EPR	-129	1
H	1	ROTARY COLLAR	--	316L	--	4
I	1	ROTARY ASSEMBLY	--	SIC/316L	F030-039900-2	1
J	1	WAVE SPRING	--	17-7 PH	WS118	1
K	1	GLAND	--	316L	F030-049908-1	3

SEAL SIZE - 30mm DBI Seal TYPE - FRISTAM

BILL OF MATERIAL

NO	QTY	DESCRIPTION	LENGTH	MATERIAL	DRAWING #	SHEET #
ASSY	1	FRISTAM SEAL ASSEMBLY	---	---	F118-2	1
A	1	ROTARY COLLAR O-RING	---	EPR	-030	1
B	1	GLAND INNER O-RING	---	EPR	-226	1
C	1	GLAND OUTER O-RING	---	EPR	-227	1
D	2	SHAFT O-RING	---	EPR	-123	1
E	1	ROTARY INSERT	---	SIC	---	6
F	1	STATIONARY	---	CARBON	F030-049900-5	5
G	1	STATIONARY O-RING	---	EPR	-129	1
H	1	ROTARY COLLAR	---	316L	---	4
I	1	ROTARY ASSEMBLY	---	SIC/316L	F030-039900-2	1
J	2	WAVE SPRING	---	17-7 PH	WS118	1
K	1	GLAND	---	316L	F030-049908-1	3
L	1	OUTER STATIONARY	---	SIC	F030-041700-2	8
M	1	OUTER ROTARY INSERT	---	CARBON	F030-030709-5	9
N	1	OUTER ROTARY RETAINER	---	316L	F030-030710-1	11
O	4	SET SCREWS	---	316L	8-32X3/8	1
P	2	OUTER STATIONARY O-RING	---	EPR	-133	1

SEAL KIT CONSISTS OF: B, C, D, F, G, I, J, L, M, D, P



ZM TECHNOLOGIES
 2250 STEWART ST. UNIT #6
 STOCKTON CA, 95205
 PHONE (209) 547-1965
 FAX (209) 464-8140

NOTES:
 THIS IS PROPERTY OF ZMT, INC.
 USE OR MAKING COPIES OF THIS
 DRAWING WITHOUT WRITTEN
 AUTHORIZATION IS IS PROHIBITED.

DATE: 6/20/04		DRAWN BY: RE		DWG #: F118-2		SHEET #: 1 OF 11		APPROVED: RE		Date: 6/21/04	
TITLE: ZMT FRISTAM SEAL ASSEMBLY		30mm DBI SEAL		REV		---		---		---	

REV	DESCRIPTION	BY	DATE

SEAL SIZE - 30mm Dbl Seal

TYPE - FRISTAM

BILL OF MATERIAL

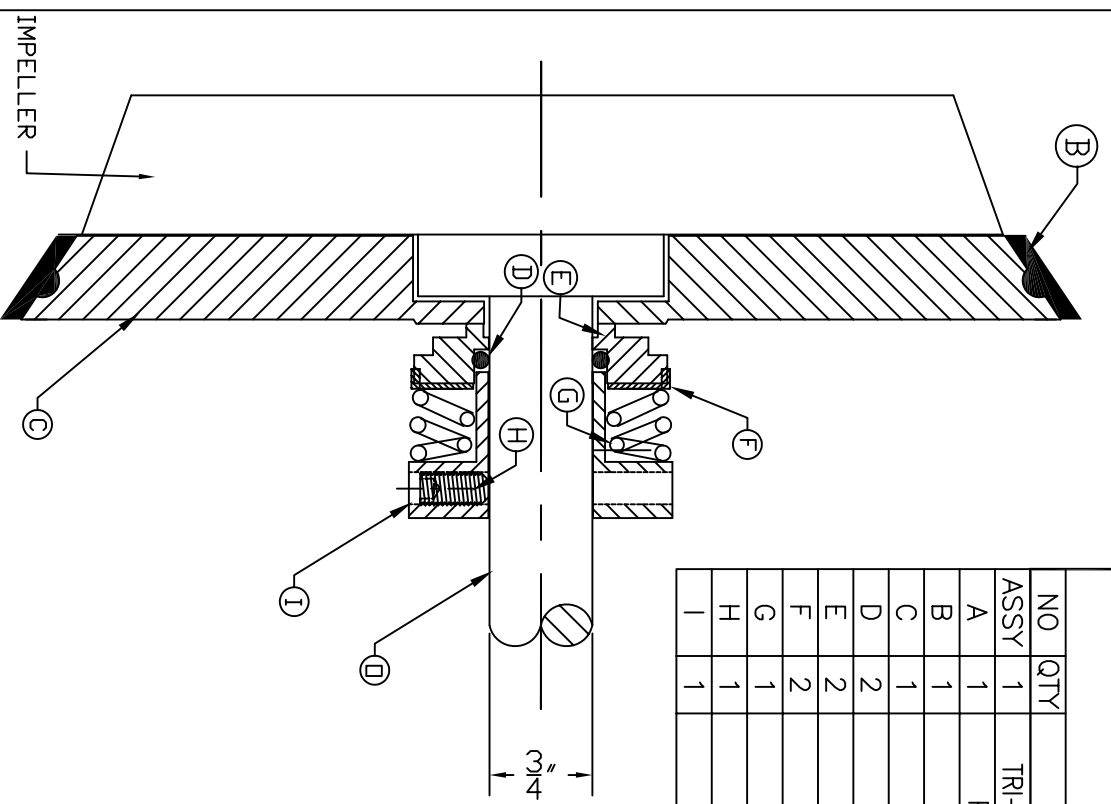
NO	QTY	DESCRIPTION	LENGTH	MATERIAL	DRAWING #	SHEET #
ASSY	1	FRISTAM SEAL ASSEMBLY	--	--	F118-2	1
A	1	ROTARY COLLAR O-RING	--	EPR	-030	1
B	1	GLAND INNER O-RING	--	EPR	-226	1
C	1	GLAND OUTER O-RING	--	EPR	-227	1
D	2	SHAFT O-RING	--	EPR	-123	1
E	1	ROTARY INSERT	--	SIC	--	6
F	1	STATIONARY	--	CARBON	F030-049900-5	5
G	1	STATIONARY O-RING	--	EPR	-129	1
H	1	ROTARY COLLAR	--	316L	--	4
I	1	ROTARY ASSEMBLY	--	SIC/316L	F030-039900-2	1
J	2	WAVE SPRING	--	17-7 PH	WS118	1
K	1	GLAND	--	316L	F030-049908-1	3
L	1	OUTER STATIONARY	--	SIC	F030-041700-2	8
M	1	OUTER ROTARY INSERT	--	CARBON	F030-030709-5	9
N	1	OUTER ROTARY RETAINER	--	316L	F030-030710-1	11
O	4	SET SCREWS	--	316L	8-32X3/8	1
P	2	OUTER STATIONARY O-RING	--	EPR	-133	1

SEAL SIZE - 3/4

TYPE - TRI-CLOVER 114

BILL OF MATERIAL

NO	QTY	DESCRIPTION	LENGTH	MATERIAL	DRAWING #	SHEET #
ASSY	1	TRI-CLOVER 114 SEAL TYPE-E	---	--	T075-2	1
A	1	PUMP CASE/VOLUTE		316SS	---	10
B	1	114 CASE GASKET	---	BUNA	T114-90A-U	1
C	1	114 BACK-PLATE		316SS	T114D-11-316	1
D	2	SHAFT O-RING	---	EPR	OR116E	1
E	2	ROTARY CARBON	---	CNFJ	T114E-80-1A	4
F	2	CUP	---	304SS	T114D-80-3P	6
G	1	SPRING		302SS	T114D-80-4	1
H	1	SET SCREW	---	316SS	FSHSS0832X025-SS	1
I	1	DRIVE COLLAR	---	316SS	T114D-23P-S	5



ZM TECHNOLOGIES
 2250 STEWART ST. UNIT #6
 STOCKTON CA. 95205
 PHONE (209) 547-1965
 FAX (209) 464-8140

NOTES:
 THIS IS PROPERTY OF ZMT, INC.
 USE OR MAKING COPIES OF THIS
 DRAWING WITHOUT WRITTEN
 AUTHORIZATION IS IS PROHIBITED.

DATE: 1/5/04		GLAND STYLE: NONE		DRAWN BY: RE		DWG #: T075-2		SHEET #: 1 OF 6		APPROVED: RE		Date: 1/5/04	
TITLE: SINGLE SEAL ASSEMBLY		TRI-CLOVER 216		REV									

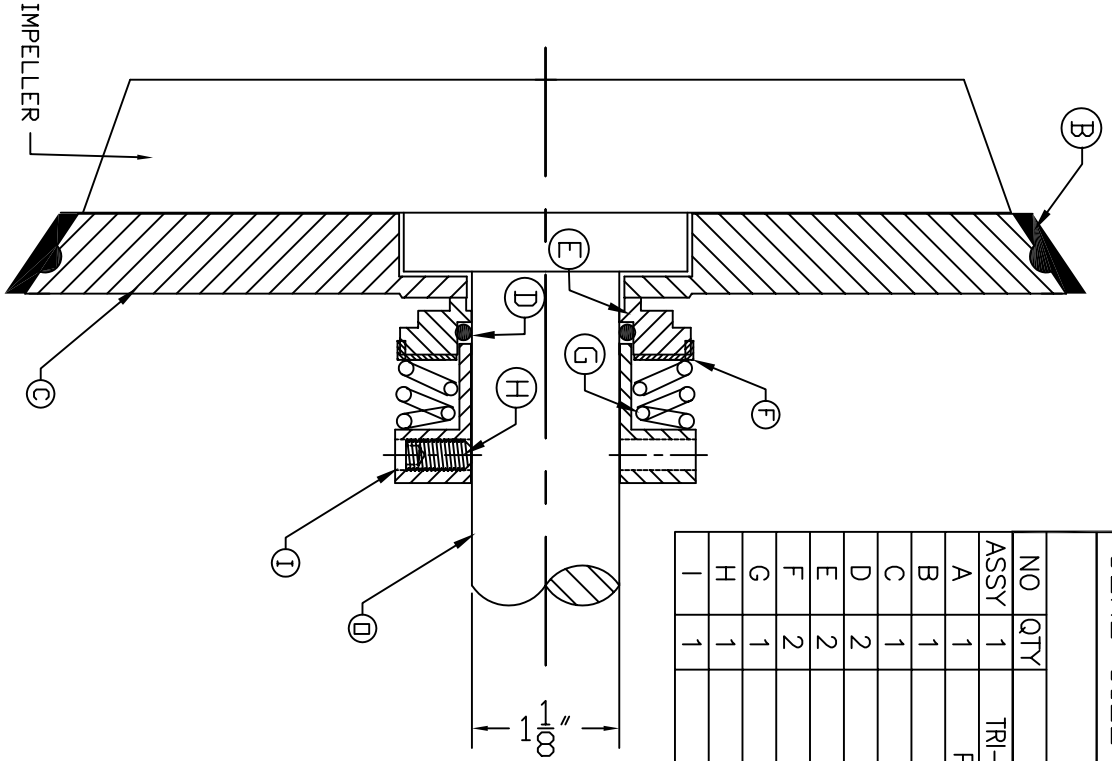
REV	DESCRIPTION	BY	DATE

SEAL SIZE - 1-1/8

TYPE - TRI-CLOVER 216

BILL OF MATERIAL

NO	QTY	DESCRIPTION	LENGTH	MATERIAL	DRAWING #	SHEET #
ASSY	1	TRI-CLOVER 216 SEAL TYPE-E	--	--	T112-2	1
A	1	PUMP CASE/VOLUTE		316SS	--	10
B	1	216 CASE GASKET	--	BUNA	T216-90A-U	1
C	1	216 BACK-PLATE		316SS	T216D-11-316	1
D	2	SHAFT O-RING	--	EPR	OR216E	1
E	2	ROTARY CARBON	--	CNFJ	T216E-80-1A	4
F	2	CUP	--	304SS	T216D-80-3P	6
G	1	SPRING		302SS	T216D-80-4	1
H	1	SET SCREW	--	316SS	FSHSS25020X025-SS	1
I	1	DRIVE COLLAR	--	316SS	T216D-23P-S	5



2250 STEWART ST. UNIT #6
STOCKTON CA. 95205
PHONE (209) 547-1985
FAX (209) 464-8140

NOTES:
THIS IS PROPERTY OF ZMT, INC.
USE OR MAKING COPIES OF THIS
DRAWING WITHOUT WRITTEN
AUTHORIZATION IS IS PROHIBITED.

TITLE: SINGLE SEAL ASSEMBLY - TYPE E		REV	
DATE: 1/5/04	GLAND STYLE: NONE	DRAWN BY: RE	DWG #: T112-2
		SHEET #: 1 OF 6	APPROVED: RE
		Date: 1/5/04	

REV	DESCRIPTION	BY	DATE

SEAL SIZE - 1-1/8"**PUMP SIZE - TRI-CLOVER 216****BILL OF MATERIAL**

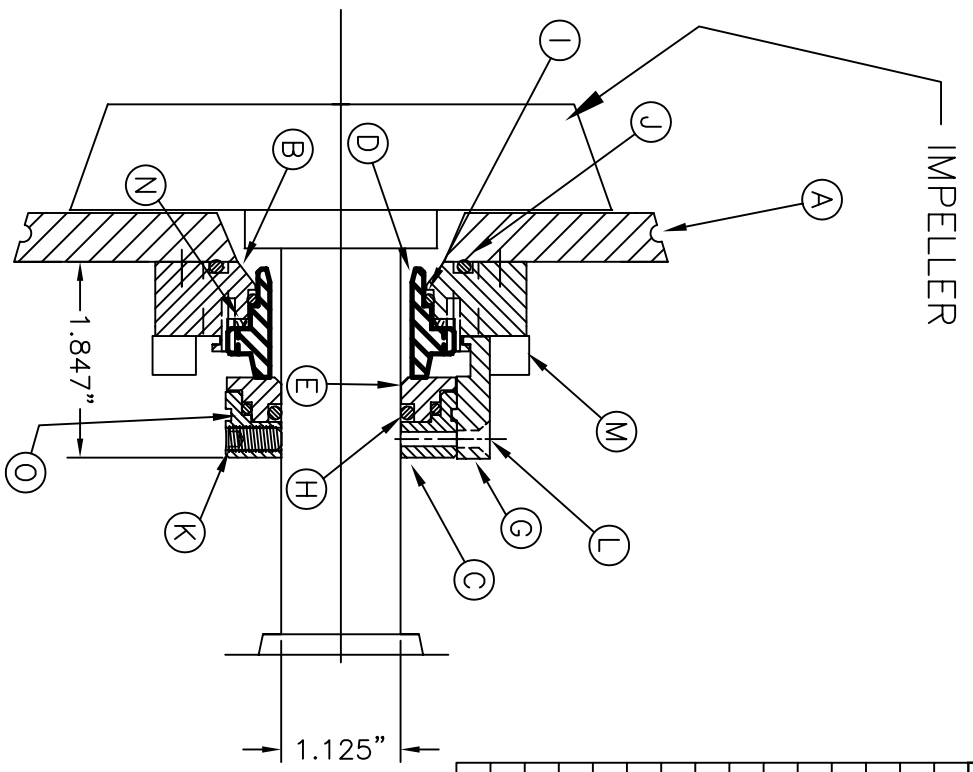
NO	QTY	DESCRIPTION	LENGTH	MATERIAL	DRAWING #
A	1	BACKPLATE		316 SS	T112BP
B	1	SEAL GLAND	1 1/4"	316 SS	T112GR1
C	1	ROTARY COLLAR	7/8"	316L	ZA1125A1R4
D	1	STATIONARY		SiC/TUNG-CAR/CARBON	ZA1125BR2
E	1	ROTARY INSERT		SiC	ZA1125AR4
F	1				
G	3	CLIPS	1 1/4"	ALUMINUM	T112CLP2
H	1	SHAFT O-RING		EPR	-216
I	1	STATIONARY O-RING		EPR	-129
J	1	GLAND O-RING		EPR	-227
K	6	SETSCREW 1/4"-28 UNF	1/2"	316 SS	
L	3	SFHCS 8-32 UNF	1/2"	316 SS	
M	4	SHCS 3/8-16 UNC	1"	302SS	
N	1	WAVE SPRING		17-7 PH	WS112R2
O	1	ROTARY MOUNT O-RING		EPR	-131

SEAL SIZE - 1-1/8"

PUMP SIZE - TRI-CLOVER 216

BILL OF MATERIAL

NO	QTY	DESCRIPTION	LENGTH	MATERIAL	DRAWING #
A	1	BACKPLATE		316 SS	T112BP
B	1	SEAL GLAND	1 1/4"	316 SS	T112GR1
C	1	ROTARY COLLAR	7/8"	316L	ZA1125A1R4
D	1	STATIONARY		SIC/TUNG-CAR/CARBON	ZA1125BR2
E	1	ROTARY INSERT		SIC	ZA1125AR4
F	1				
G	3	CLIPS	1 1/4"	ALUMINUM	T112CLP2
H	1	SHAFT O-RING		EPR	-216
I	1	STATIONARY O-RING		EPR	-129
J	1	GLAND O-RING		EPR	-227
K	6	SETSCREW 1/4"-28 UNF	1/2"	316 SS	
L	3	SFHCS 8-32 UNF	1/2"	316 SS	
M	4	SHCS 3/8-16 UNC	1"	302SS	
N	1	WAVE SPRING		17-7 PH	WS112R2
O	1	ROTARY MOUNT O-RING		EPR	-131



ZM TECHNOLOGIES
 2250 STEWART ST. UNIT #6
 STOCKTON CA. 95205
 PHONE (209) 547-1965
 FAX (209) 464-8140

NOTES:
 THIS IS PROPERTY OF ZMT, INC.
 USE OR MAKING COPIES OF THIS
 DRAWING WITHOUT WRITTEN
 AUTHORIZATION IS IS PROHIBITED.

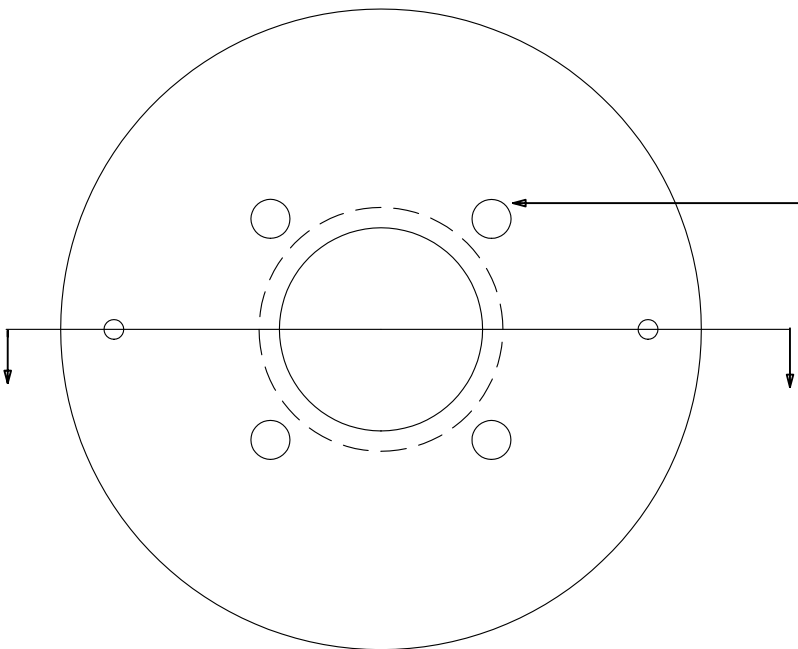
TITLE: ZMT TRI-CLOVER CARTRIDGE SEAL		REV	
1-1/8" - MODEL 216		REV	
DATE: 8/25/03	FLUSHLESS	DRAWN BY: RE	DWG #: T112R4
		SHEET #: 1 OF 7	APPROVED: RE
			Date: 8/30/04

REV	DESCRIPTION	BY	DATE

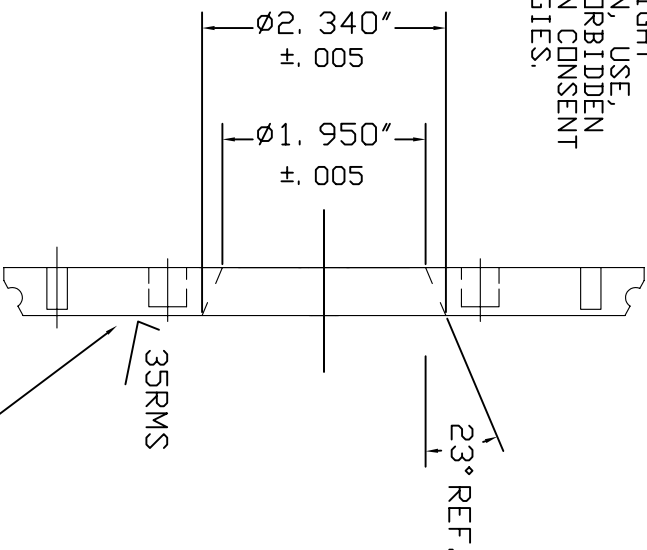
4ea 3/8-16 HOLES 3/8" DEEP DN 3.00 B. C.

NOTE:

THIS IS PROPRIETARY. THIS MATERIAL IS CONFIDENTIAL, THIS DRAWING CONTAINS INFORMATION WHICH IS THE EXCLUSIVE PROPERTY OF ZM TECHNOLOGIES. POSSESSION OF THIS MATERIAL DOES NOT CONVEY OR TRANSFER ANY RIGHT THERETO, AND ANY REPRODUCTION, USE, OR DISCLOSURE TO OTHERS IS FORBIDDEN WITHOUT THE EXPRESSED WRITTEN CONSENT OF AN OFFICER OF ZM TECHNOLOGIES.



FACE OFF TO SMOOTH FINISH

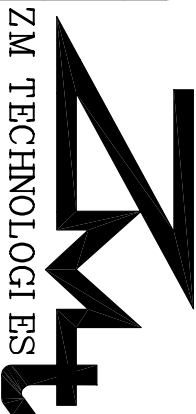


REV	SI	ON
1		
2		

EQUIP - TRI-CLOVER

MODEL - SP/C 216

B/M - 43, 251



DWG NO-T216BPE

MAT'L - 316 SS

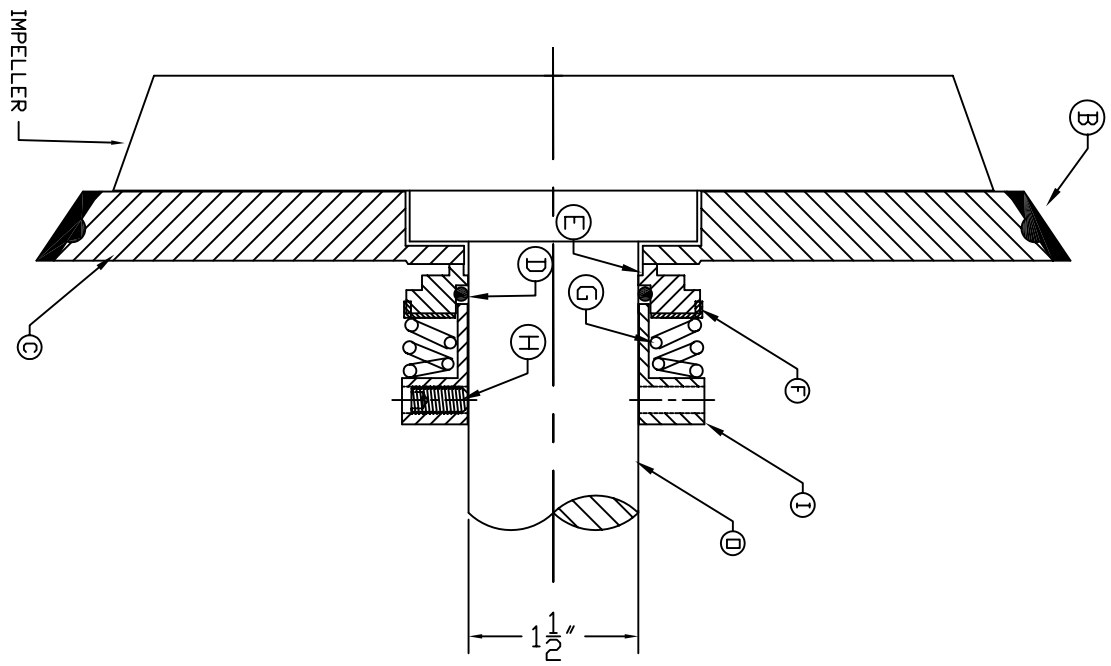
DATE - 12/31/93

SEAL SIZE - 1-1/2

TYPE - TRI-CLOVER 218/328

BILL OF MATERIAL

NO	QTY	DESCRIPTION	LENGTH	MATERIAL	DRAWING #	SHEET #
ASSY	1	TRI-CLOVER 218/328 SEAL TYPE-E	---	---	T150-2	1
A	1	PUMP CASE/VOLUTE	---	316SS	---	10
B	1	218 CASE GASKET	---	BUNA	T328-90A-U	1
-	1	328 CASE GASKET	---	BUNA	T328-90A-U	1
C	1	218 BACK-PLATE	---	316SS	T328D-11-316	1
-	1	328 BACK-PLATE	---	316SS	T328D-11-316	1
D	2	SHAFT O-RING	---	EPR	OR222E	1
E	2	ROTARY CARBON	---	CNFJ	T328E-80-1A	4
F	2	CUP	---	304SS	T328D-80-3P	6
G	1	SPRING	---	302SS	T328D-80-4	1
H	1	SET SCREW	---	316SS	FSHSS25020X025-SS	1
I	1	DRIVE COLLAR	---	316SS	T328D-23P-S	5



ZM TECHNOLOGIES
 2250 STEWART ST. UNIT #6
 STOCKTON CA. 95205
 PHONE (209) 547-1965
 FAX (209) 464-8140

NOTES:
 THIS IS PROPERTY OF ZMT, INC.
 USE OR MAKING COPIES OF THIS
 DRAWING WITHOUT WRITTEN
 AUTHORIZATION IS IS PROHIBITED.

DATE: 1/5/04		GLAND STYLE: NONE		DRAWN BY: RE		DWG #: T150-2		SHEET #: 1 OF 6		REV	
TITLE: SINGLE SEAL ASSEMBLY - TYPE E											
APPROVED: RE Date: 1/5/04											
REV DESCRIPTION BY DATE											

SEAL SIZE - 1-1/2 DBL SEAL

TYPE - TRI-CLOVER 328/4410

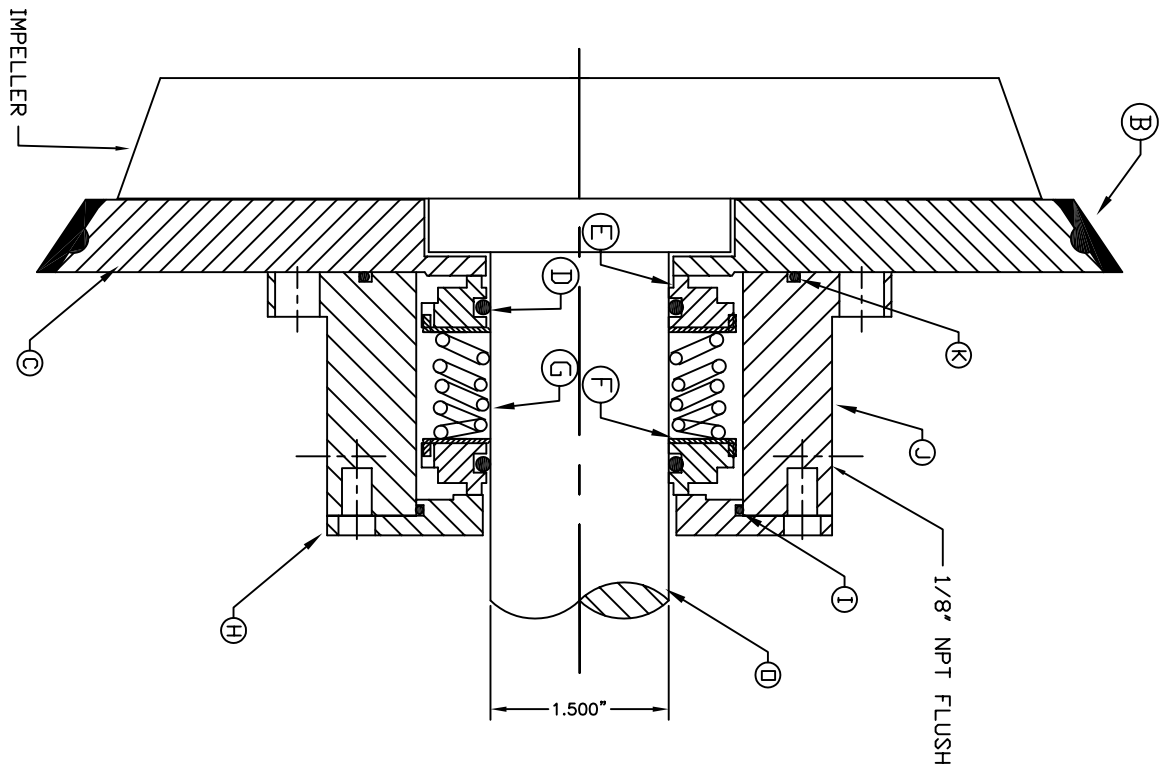
BILL OF MATERIAL

NO	QTY	DESCRIPTION	LENGTH	MATERIAL	DRAWING #	SHEET #
ASSY	1	TRI-CLOVER 328/4410 DOUBLE SEAL	--	--	T150	1
A	1	PUMP CASE/VOLUTE		316SS	---	10
B	1	4410 CASE GASKET	--	EPDM	GTT4410-90A-E	1
-	1	328 CASE GASKET	--	EPDM	GTT328-90A-E	1
C	1	4410 BACK-PLATE		316SS	T4410E-11-316	1
-	1	328 BACK-PLATE	--	316SS	T328E-11-316	1
D	2	SHAFT O-RING	--	EPR	222	1
E	2	ROTARY CARBON	--	CNFJ	T4410-039909A-5	4
F	2	CUP	--	304SS	T4410E-80-3	6
G	1	SPRING		302SS	T4410-80-4	1
H	1	OUTER PLATE	--	316SS	T4410E-17-316	3
I	1	OUTER PLATE O-RING	--	EPR	-038	1
J	1	STUFFING BOX	--	316SS	T328E-83B-316	1
K	1	STUFFING BOX O-RING	--	EPR	-153	1
L	1	SHAFT SLINGER	1/4	EPDM	---	1
M	1	BEARING SHIM	--	BRASS	---	1
N	2	BEARING	--	STEEL	---	1
O	1	SHAFT		316L	T328-SHAFT	8

SEAL SIZE - 1-1/2 DBL SEAL TYPE - TRI-CLOVER 328/4410

BILL OF MATERIAL

NO	QTY	DESCRIPTION	LENGTH	MATERIAL	DRAWING #	SHEET #
ASSY	1	TRI-CLOVER 328/4410 DOUBLE SEAL	---	---	T150	1
A	1	PUMP CASE/VOLUTE	---	316SS	---	10
B	1	4410 CASE GASKET	---	EPDM	G1T4410-90A-E	1
-	1	328 CASE GASKET	---	EPDM	G1T328-90A-E	1
C	1	4410 BACK-PLATE	---	316SS	T4410E-11-316	1
D	1	328 BACK-PLATE	---	316SS	T328E-11-316	1
-	2	SHAFT O-RING	---	EPR	222	1
E	2	ROTARY CARBON	---	CNFJ	T4410-039909A-5	4
F	2	CUP	---	304SS	T4410E-80-3	6
G	1	SPRING	---	302SS	T4410-80-4	1
H	1	OUTER PLATE	---	316SS	T4410E-17-316	3
I	1	OUTER PLATE O-RING	---	EPR	-038	1
J	1	STUFFING BOX	---	316SS	T328E-83B-316	1
K	1	STUFFING BOX O-RING	---	EPR	-153	1
L	1	SHAFT SLINGER	1/4	EPDM	---	1
M	1	BEARING SHIM	---	BRASS	---	1
N	2	BEARING	---	STEEL	---	1
O	1	SHAFT	---	316L	T328-SHAFT	8



NOTES:
 THIS IS PROPERTY OF ZMT, INC.
 USE OR MAKING COPIES OF THIS
 DRAWING WITHOUT WRITTEN
 AUTHORIZATION IS IS PROHIBITED.

TITLE: DOUBLE SEAL ASSEMBLY		REV	
DATE: 1/5/04	GLAND STYLE: NONE	DRAWN BY: RE	DWG #: T150-1
SHEET #: 1 OF 10		APPROVED: RE	
Date: 1/5/04		Date:	

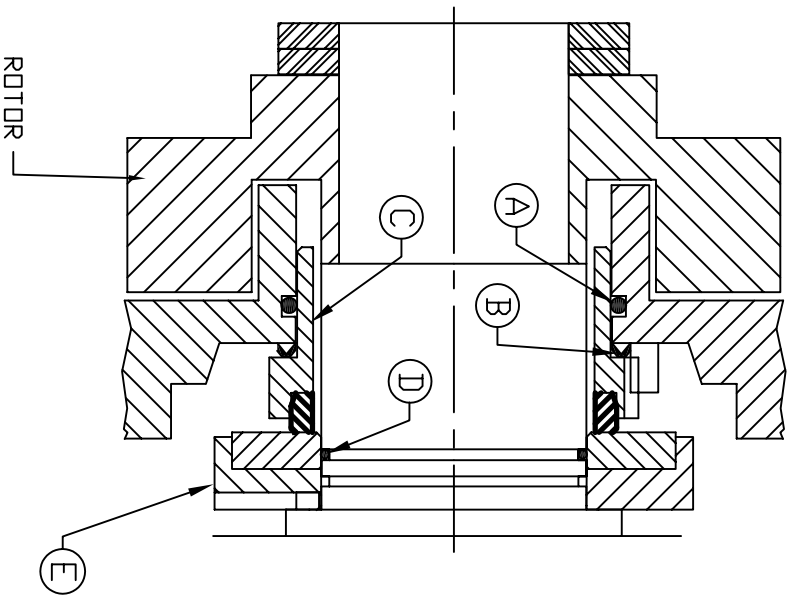
REV	DESCRIPTION	BY	DATE

SEAL SIZE - 1-1/8

TYPE - WAUKESHA 6/14/15/18/24 ZMT SINGLE

BILL OF MATERIAL

NO	QTY	DESCRIPTION	LENGTH	MATERIAL	DRAWING #	SHEET #
ASSY	1	WAUKESHA 6/14/15/18/24 SINGLE SEAL	--	--	W112-2	1
A	1	BODY O-RING		EPR	OR6X37E	1
B	1	WAVE SPRING	--	17-7	W006-049912	1
C	1	INNER STATIONARY		SIC/316SS	W006Z-040600-2	5
D	2	SHAFT O-RING	--	EPR	OR022E	1
E	1	ROTARY		SIC	W006Z-030500-2	6



2280 STEWART ST. UNIT #6
STOCKTON CA, 95205
PHONE (209) 547-1965
FAX (209) 464-8140

TITLE: ZMT SINGLE SEAL ASSEMBLY

DATE: 1/7/04 GLAND STYLE: NONE DRAWN BY: RE DWG #: W112-2 SHEET #: 1 OF 6 APPROVED: RE Date: 1/7/04

NOTES:
THIS IS PROPERTY OF ZMT, INC.
USE OR MAKING COPIES OF THIS
DRAWING WITHOUT WRITTEN
AUTHORIZATION IS IS PROHIBITED.

REV	DESCRIPTION	BY	DATE

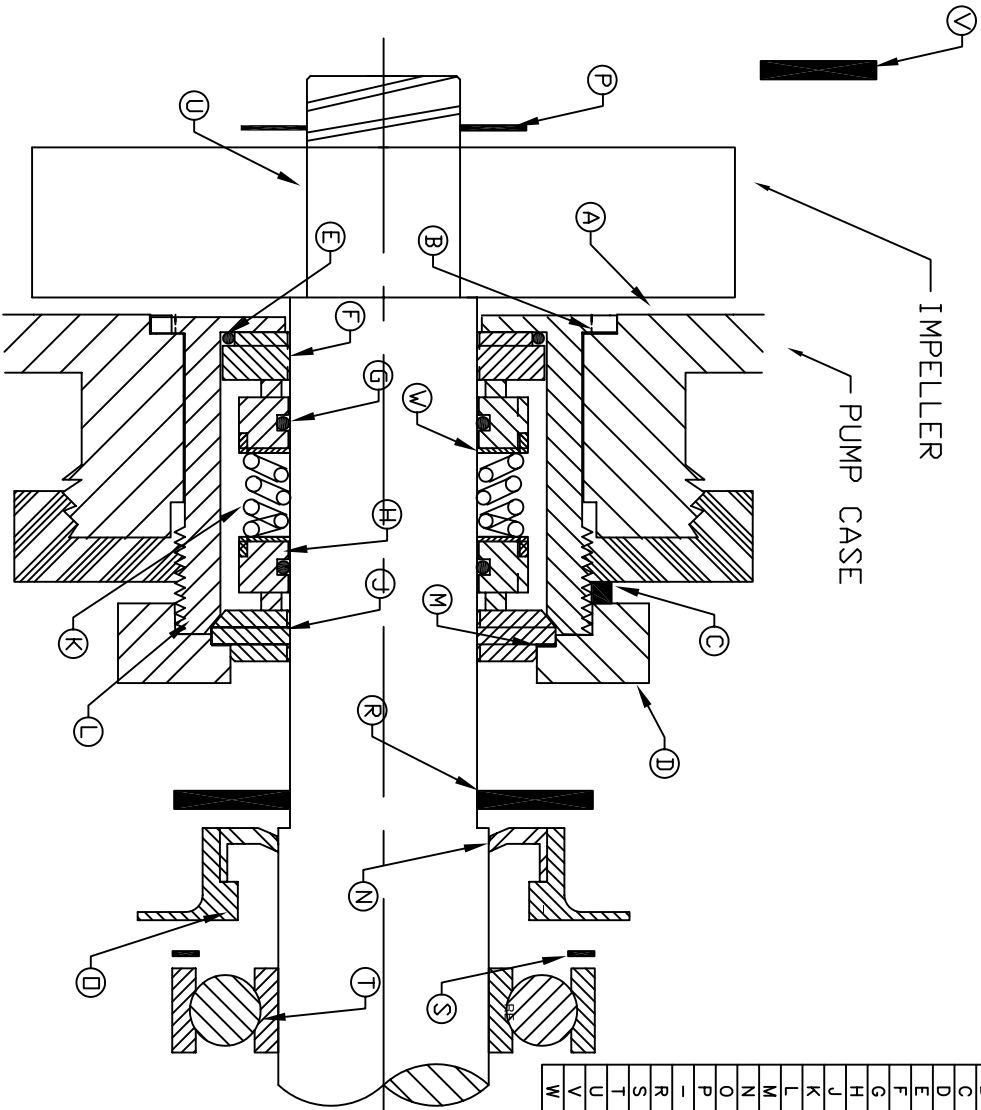
SEAL SIZE - 1-3/8

TYPE - TRI-CLOVER 3EH

BILL OF MATERIAL

NO	QTY	DESCRIPTION	LENGTH	MATERIAL	DRAWING #	SHEET #
ASSY	1	TRI-CLOVER 3EH DOUBLE SEAL	--	--	T138	1
A	1	PUMP CASE/VOLUTE		316SS	--	10
B	1	GLAND GASKET	1/32	CNA	GTT3EH-GLND	1
C	1	GLAND NUT PACKING	1/4	EPR	T3EH-141-78	1
D	1	GLAND NUT		316 S.S.	--	9
E	1	INNER STATIONARY O-RING		EPR	-139	1
F	1	INNER STATIONARY	--	CERAMIC	ST3EH-040655-7	5
G	2	SHAFT O-RING	--	EPR	-220	1
H	2	ROTARY CARBON	--	CNFJ	T3EH-039909-5	4
J	1	OUTER STATIONARY	--	CERAMIC	T3EH-040700-7	7
K	1	SPRING		302SS	T3EH-141D-27	1
L	1	GLAND	--	316SS	T3EHGLND	3
M	1	OUTER STATIONARY GASKET	1/32	CNA	GTT3EH-SEAT	1
N	1	OIL SEAL	--	BUNA	T3EH-105-72A	1
O	1	OIL SEAL RETAINER	--	316L	T3EH-105-30	1
P	1	IMPELLER SHIM	.005	316SS	T3EH-SP328-133-005	1
--	1	IMPELLER SHIM	.010	316SS	T3EH-SP328-133-010	1
R	1	SHAFT SLINGER	1/4	EPDM	T3EH-10-1185-18	1
S	1	BEARING SHIM	.005	BRASS	T3EH-143A-139	1
T	2	BEARING	--	STEEL	6308-2RS	1
U	1	SHAFT		316L	T3EH-SHAFT	8
V	1	CASE GASKET	1/8	EPDM	GTT3EH-100-20E	1
W	2	CUP	--	304SS	T3EH-2160-80-3P	6

FOR REFERENCE ONLY



SEAL SIZE - 1-3/8 TYPE - TRI-CLOVER 3EH

BILL OF MATERIAL						
NO	QTY	DESCRIPTION	LENGTH	MATERIAL	DRAWING #	SHEET #
ASSY	1	TRI-CLOVER 3EH DOUBLE SEAL	---	---	1-38	1
A	1	PUMP CASE/VOLUTE	---	316SS	---	10
B	1	GLAND GASKET	1/32	CNA	GT3EH-GLND	1
C	1	GLAND NUT PACKING	1/4	EPR	T3EH-141-78	1
D	1	GLAND NUT	---	316 S.S.	---	9
E	1	INNER STATIONARY O-RING	---	EPR	-139	1
F	1	INNER STATIONARY	---	CERAMIC	ST3EH-040655-7	5
G	2	SHAFT O-RING	---	EPR	-220	4
H	2	ROTAHY CARBON	---	CNFJ	T3EH-039909-5	1
J	1	OUTER STATIONARY	---	CERAMIC	T3EH-040700-7	7
K	1	SPRING	---	302SS	T3EH-1410-27	1
L	1	GLAND	---	316SS	T3EHGLND	3
M	1	OUTER STATIONARY GASKET	1/32	CNA	GT3EH-SEAT	1
N	1	OIL SEAL	---	BUNA	T3EH-105-72A	1
O	1	OIL SEAL RETAINER	---	316L	T3EH-105-30	1
P	1	IMPELLER SHIM	.005	316SS	T3EH-9228-133-005	1
-	1	IMPELLER SHIM	.010	316SS	T3EH-9228-133-010	1
R	1	SHAFT SLINGER	1/4	EPDM	T3EH-10-1185-18	1
S	1	BEARING SHIM	.005	BRASS	T3EH-143A-139	1
T	2	BEARING	---	STEEL	6308-2RS	1
U	1	SHAFT	---	316L	T3EH-SHAFT	8
V	1	CASE GASKET	1/8	EPDM	GT3EH-100-20E	1
W	2	CUP	---	304SS	T3EH-2160-80-3P	6



ZMT TECHNOLOGIES
2250 STEWART ST. UNIT #6
STOCKTON CA. 95205
PHONE (209) 547-1965
FAX (209) 464-8140

NOTES:
THIS IS PROPERTY OF ZMT, INC.
USE OR MAKING COPIES OF THIS
DRAWING WITHOUT WRITTEN
AUTHORIZATION IS IS PROHIBITED.

TITLE: DOUBLE SEAL ASSEMBLY		REV	
DATE: 1/5/04	GLAND STYLE: FLUSH	DRAWN BY: RE	DWG #: T138
SHEET #: 1 OF 10		APPROVED: _____	
DATE: 1/5/04		DATE: _____	

REV	DESCRIPTION	BY	DATE

SEAL SIZE - 1-1/2"**PUMP SIZE - TRI-CLOVER 218/328****BILL OF MATERIAL**

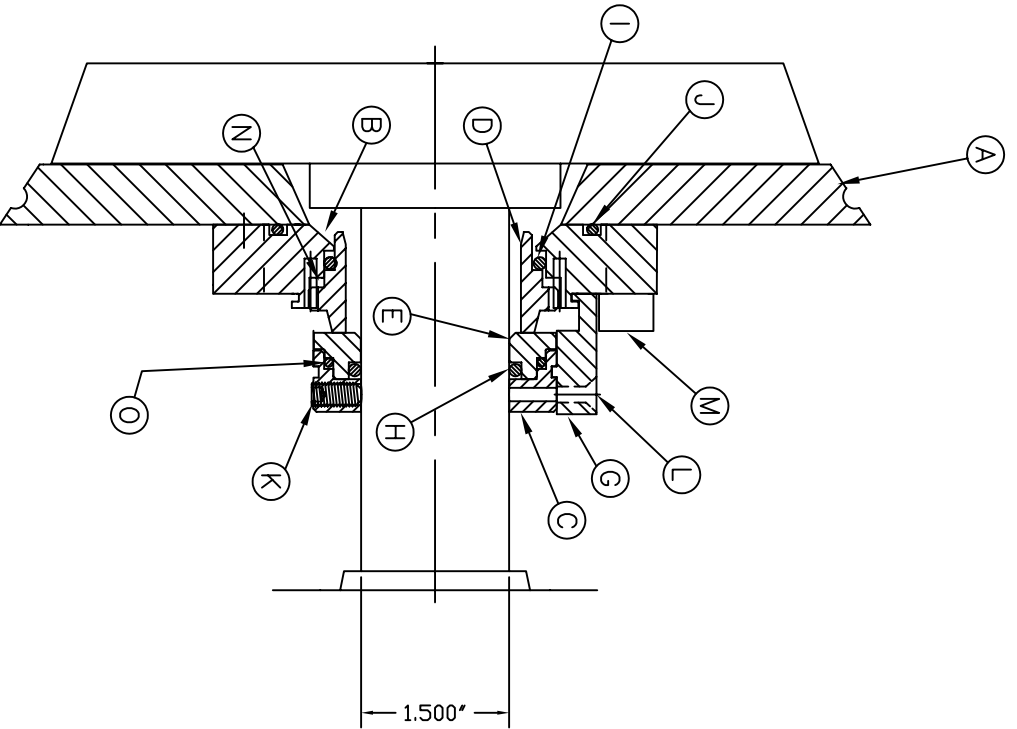
NO	QTY	DESCRIPTION	LENGTH	MATERIAL	DRAWING #
A	1	BACKPLATE		316 SS	T50BP
B	1	SEAL GLAND	1 1/4"	316 SS	T150GR1
C	1	ROTARY COLLAR	7/8"	316L	ZA1500A1R4
D	1	STATIONARY		SiC/TUNG-CAR/CARBON	ZA1375BR2
E	1	ROTARY INSERT		SiC	ZA1500AR4
F	1				
G	3	CLIPS	1 1/4"	ALUMINUM	T150CLP4
H	1	SHAFT O-RING		EPR	-222
I	1	STATIONARY O-RING		EPR	-226
J	1	GLAND O-RING		EPR	-234
K	6	SETSCREW 1/4"-28 UNF	1/2"	316 SS	
L	3	SFHCS 8-32 UNF	1/2"	316 SS	
M	4	SHCS 3/8-16 UNC	1"	302SS	
N	1	WAVE SPRING		17-7 PH	WS150R1
O	1	ROTARY MOUNT O-RING		EPR	-137

SEAL SIZE - 1-1/2"

PUMP SIZE - TRI-CLOVER 218/328

BILL OF MATERIAL

NO	QTY	DESCRIPTION	LENGTH	MATERIAL	DRAWING #
A	1	BACKPLATE		316 SS	T50BP
B	1	SEAL GLAND	1 1/4"	316 SS	T150GR1
C	1	ROTARY COLLAR	7/8"	316L	ZA1500A1R4
D	1	STATIONARY		SIC/TUNG-CAR/CARBON	ZA1375BR2
E	1	ROTARY INSERT		SIC	ZA1500AR4
F	1				
G	3	CLIPS	1 1/4"	ALUMINUM	T150CLP4
H	1	SHAFT O-RING		EPR	-222
I	1	STATIONARY O-RING		EPR	-226
J	1	GLAND O-RING		EPR	-234
K	6	SETScrew 1/4"-28 UNF	1/2"	316 SS	
L	3	SFHCS 8-32 UNF	1/2"	316 SS	
M	4	SHCS 3/8-16 UNC	1"	302SS	
N	1	WAVE SPRING		17-7 PH	WS150R1
O	1	ROTARY MOUNT O-RING		EPR	-137



2250 STEWART ST. UNIT #6
STOCKTON CA. 95205
PHONE (209) 547-1965
FAX (209) 464-8140

TITLE: ZMT TRI-CLOVER CARTRIDGE SEAL		REV	
DATE: 8/25/03	GLAND STYLE: FLUSHLESS	DRAWN BY: RE	DWG #: T150R4
SHEET #: 1 OF 8		APPROVED: RE	
Date: 8/30/03		Date:	

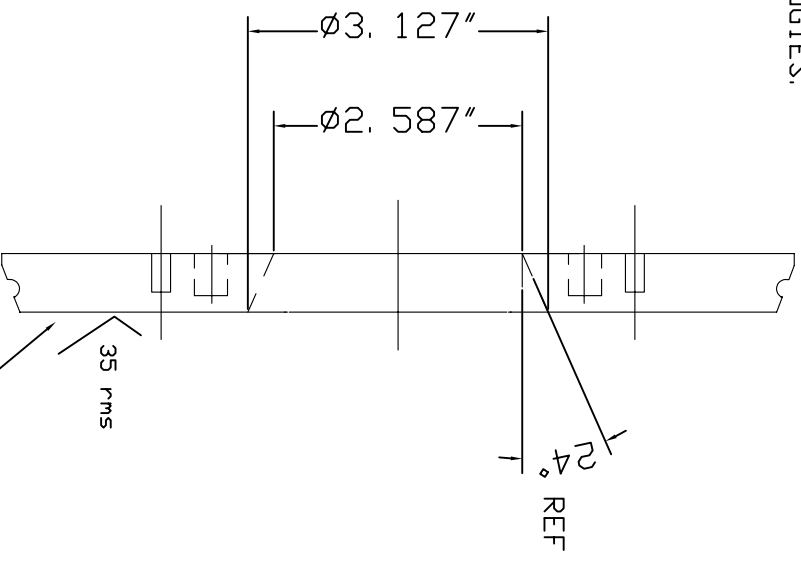
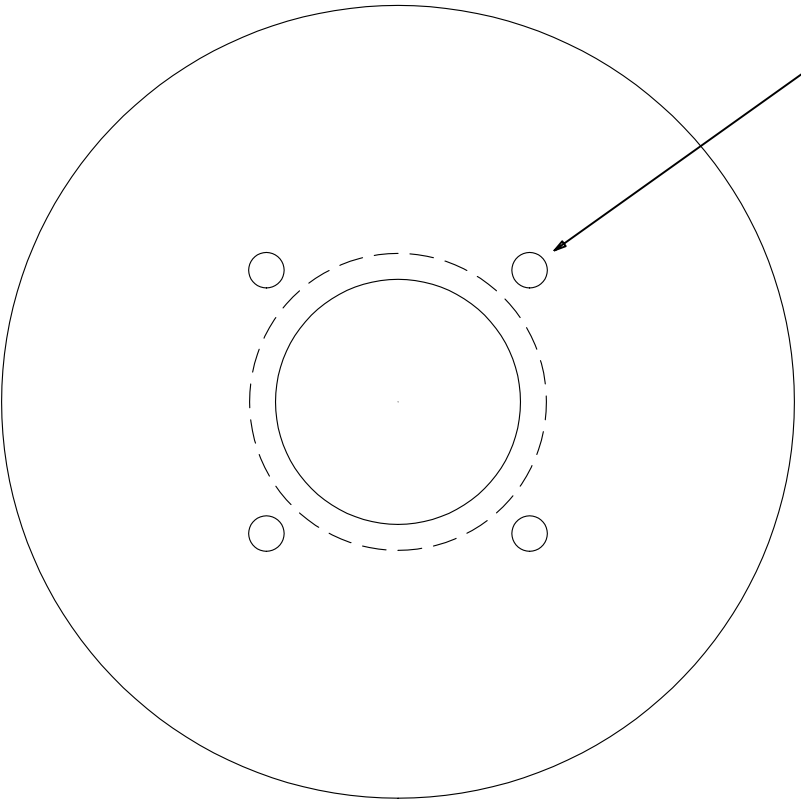
NOTES:
THIS IS PROPERTY OF ZMT, INC.
USE OR MAKING COPIES OF THIS
DRAWING WITHOUT WRITTEN
AUTHORIZATION IS IS PROHIBITED.

REV	DESCRIPTION	BY	DATE

NOTE:

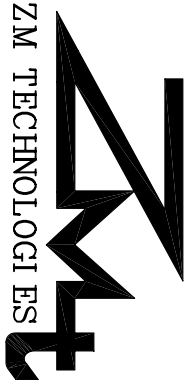
THIS IS PROPRIETARY. THIS MATERIAL IS CONFIDENTIAL, THIS DRAWING CONTAINS INFORMATION WHICH IS THE EXCLUSIVE PROPERTY OF ZM TECHNOLOGIES. POSSESSION OF THIS MATERIAL DOES NOT CONVEY OR TRANSFER ANY RIGHT THERE TO, AND ANY REPRODUCTION, USE, OR DISCLOSURE TO OTHERS IS FORBIDDEN WITHOUT THE EXPRESSED WRITTEN CONSENT OF AN OFFICER OF ZM TECHNOLOGIES.

1	REVISION
2	



MACHINE TO SMOOTH FINISH

EQUIP - TRI-CLOVER
 MODEL - 218, 328
 B/M - 46, 251



DWG NO- T218BP
 MAT'L - 316 SS
 DATE - 5/19/94

SEAL SIZE - 1-3/4

TYPE - TRI-CLOVER 4EH

BILL OF MATERIAL

NO	QTY	DESCRIPTION	LENGTH	MATERIAL	DRAWING #	SHEET #
ASSY	1	TRI-CLOVER 3EH DOUBLE SEAL	---	---	T175	1
A	1	PUMP CASE/VOLUTE		316SS	---	10
B	1	GLAND GASKET	1/64	CNA	GTT4EH-GLND	1
C	1	GLAND NUT PACKING	1/4	EPR	T4EH-141-78	1
D	1	GLAND NUT		316 S.S.	---	9
E	1	INNER STATIONARY O-RING		EPR	-230	1
F	1	INNER STATIONARY	---	CrO2	ST4EH-040655-6	5
G	2	SHAFT O-RING	---	EPR	-224	1
H	2	ROTARY CARBON	---	CNFJ	T4EH-039909-5	4
J	1	OUTER STATIONARY	---	CrO2	T4EH-040700-6	7
K	1	SPRING		302SS	S1750T1-019912	1
L	1	GLAND	---	316SS	T4EHGLND	3
M	1	OUTER STATIONARY GASKET	1/32	CNA	GTT4EH-SEAT	1
N	1	OIL SEAL	---	BUNA		1
O	1	OIL SEAL RETAINER	---	316L		1
P	1	IMPELLER SHIM	.005	316SS		1
-	1	IMPELLER SHIM	.010	316SS		1
R	1	SHAFT SLINGER	1/4	EPDM		1
S	1	BEARING SHIM	.005	BRASS		1
T	2	BEARING	---	STEEL		1
U	1	SHAFT		316L	T4EH-SHAFT	8
V	1	CASE GASKET	1/8	EPDM	GTT4EH-100-20E	1
W	2	CUP	---	304SS	T4EH-2160-80-3P	6

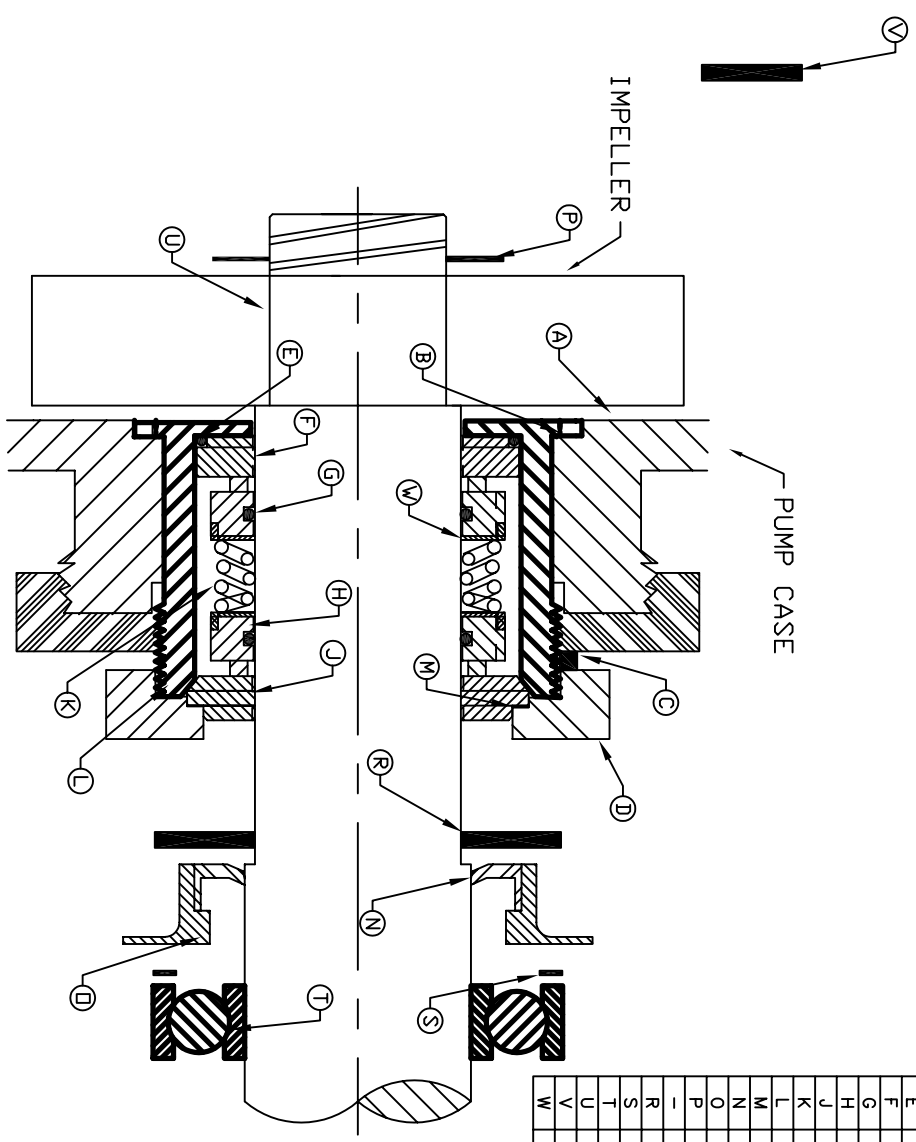
SEAL SIZE - 1-3/4

TYPE - TRI-CLOVER 4EH

BILL OF MATERIAL

NO	QTY	DESCRIPTION	LENGTH	MATERIAL	DRAWING #	SHEET #
ASSY	1	TRI-CLOVER 3EH DOUBLE SEAL	---	---	1175	1
A	1	PUMP CASE/VOLUTE	---	316SS	---	10
B	1	GLAND GASKET	1/64	CNA	GT4EH-GLND	1
C	1	GLAND NUT PACKING	1/4	EPR	T4EH-141-78	1
D	1	GLAND NUT	---	316 S.S.	---	9
E	1	INNER STATIONARY O-RING	---	EPR	-230	1
F	1	INNER STATIONARY	---	C/O2	ST4EH-040655-6	5
G	2	SHAFT O-RING	---	EPR	-224	1
H	2	ROTARY CARBON	---	CNFJ	T4EH-039909-5	4
J	1	OUTER STATIONARY	---	C/O2	T4EH-040700-6	7
K	1	SPRING	---	302SS	ST75011-019912	1
L	1	GLAND	---	316SS	T4EHGLND	3
M	1	OUTER STATIONARY GASKET	1/32	CNA	GT4EH-SEAT	1
N	1	OIL SEAL	---	BUNA	---	1
O	1	OIL SEAL RETAINER	---	316L	---	1
P	1	IMPELLER SHIM	.005	316SS	---	1
R	1	IMPELLER SHIM	.010	316SS	---	1
S	1	SHAFT SLINGER	1/4	EPDM	---	1
T	2	BEARING SHIM	.005	BRASS	---	1
U	1	BEARING	---	STEEL	---	1
V	1	SHAFT	1/8	316L	T4EH-SHAFT	8
W	1	CASE GASKET	---	EPDM	GT4EH-100-20E	1
X	2	CUP	---	304SS	T4EH-2180-80-3P	6

FOR REFERENCE ONLY



ZM TECHNOLOGIES
 2250 STEWART ST. UNIT #6
 STOCKTON, CA. 95205
 PHONE (209) 547-1965
 FAX (209) 464-8140

NOTES:
 THIS IS PROPERTY OF ZMT, INC.
 USE OR MAKING COPIES OF THIS
 DRAWING WITHOUT WRITTEN
 AUTHORIZATION IS PROHIBITED.

TITLE: DOUBLE SEAL ASSEMBLY		REV	
DATE: 1/5/04	GLAND STYLE: FLUSH	DRAWN BY: RE	DWG #: 1175
SHEET #: 1 OF 10		APPROVED: RE	Date: 1/5/04

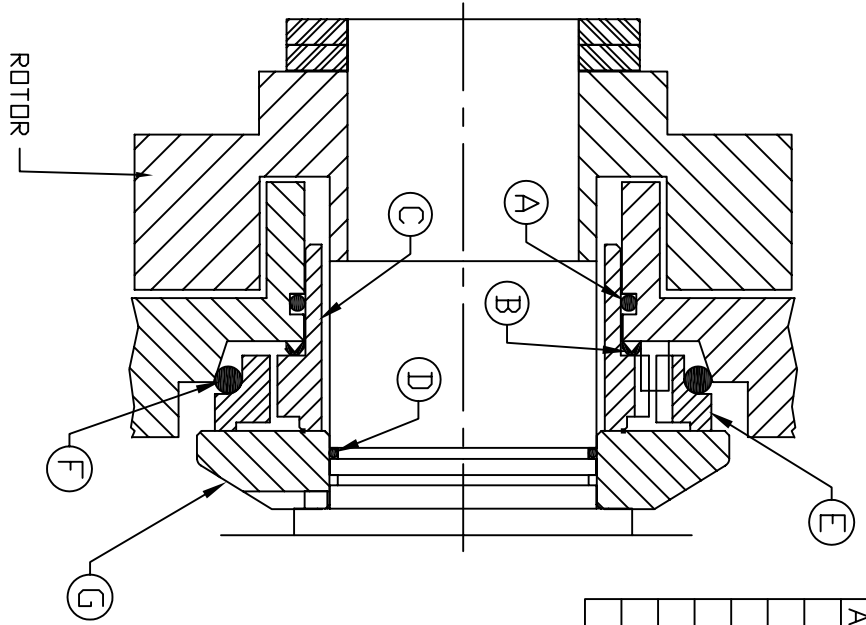
REV	DESCRIPTION	BY	DATE
-----	-------------	----	------

SEAL SIZE - 1-1/8

TYPE - WAUKESHA 6/14/15/18/24 DOUBLE

BILL OF MATERIAL

NO	QTY	DESCRIPTION	LENGTH	MATERIAL	DRAWING #	SHEET #
ASSY	1	WAUKESHA 6/14/15/18/24 DOUBLE SEAL	---	---	W112-1	1
A	1	BODY O-RING		EPR	OR6X37E	1
B	1	WAVE SPRING	---	17-7	W006-049912	1
C	1	INNER STATIONARY		SiC/316SS	W006-040600-2	5
D	2	SHAFT O-RING	---	EPR	OR022E	1
E	2	OUTER STATIONARY	---	CARBON	W006-040700-5	4
F	2	OUTER O-RING	---	BUNA	OR228B-50D	1
G	1	ROTARY		SiC	W006-030500-2	6



TITLE: DOUBLE SEAL ASSEMBLY

DATE: 1/7/04

GLAND STYLE: NONE

DRAWN BY: RE

DWG #: W112-1

SHEET #: 1 OF 8

NOTES:
 THIS IS PROPERTY OF ZMT, INC.
 USE OR MAKING COPIES OF THIS
 DRAWING WITHOUT WRITTEN
 AUTHORIZATION IS IS PROHIBITED.

APPROVED: RE

Date: 1/7/04

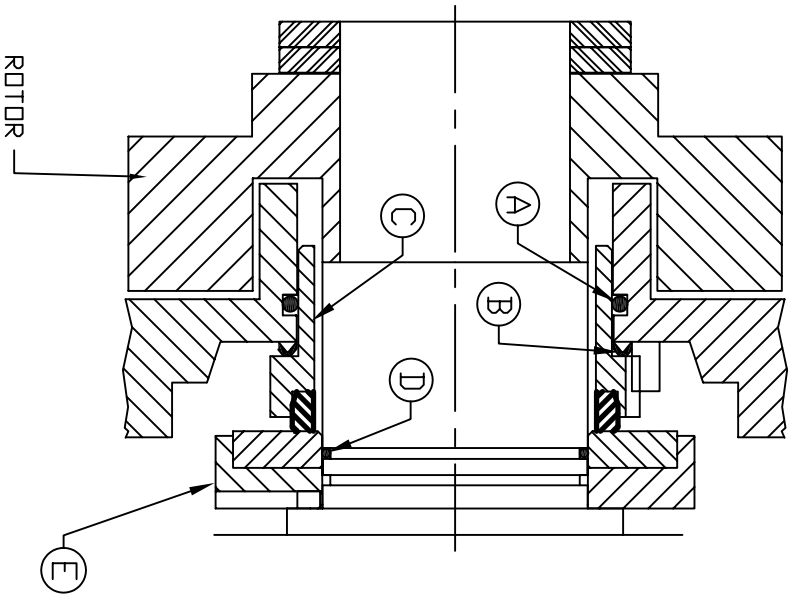
REV	DESCRIPTION	BY	DATE

SEAL SIZE - 1-1/2

TYPE - WAUKESHA 30/34 ZMT SINGLE

BILL OF MATERIAL

NO	QTY	DESCRIPTION	LENGTH	MATERIAL	DRAWING #	SHEET #
ASSY	1	WAUKESHA 30/34 SINGLE SEAL	--	--	W150-2	1
A	1	BODY O-RING		EPR	OR327E	1
B	1	WAVE SPRING	--	17-7	W030-049912	1
C	1	INNER STATIONARY		SIC/316SS	W030Z-040600-2	5
D	2	SHAFT O-RING	---	EPR	OR028E	1
E	1	ROTARY		SIC	W030Z-030500-2	6



ZM TECHNOLOGIES
 2250 STEWART ST. UNIT #6
 STOCKTON CA. 95205
 PHONE (209) 547-1965
 FAX (209) 464-8140

TITLE: ZMT SINGLE SEAL ASSEMBLY

WAUKESHA 30/34

DATE: 1/7/04	GLAND STYLE: NONE	DRAWN BY: RE	DWG #: W150-2	REV	SHEET #: 1 OF 6	APPROVED: RE	Date: 1/7/04
--------------	-------------------	--------------	---------------	-----	-----------------	--------------	--------------

NOTES:
 THIS IS PROPERTY OF ZMT, INC.
 USE OR MAKING COPIES OF THIS
 DRAWING WITHOUT WRITTEN
 AUTHORIZATION IS IS PROHIBITED.

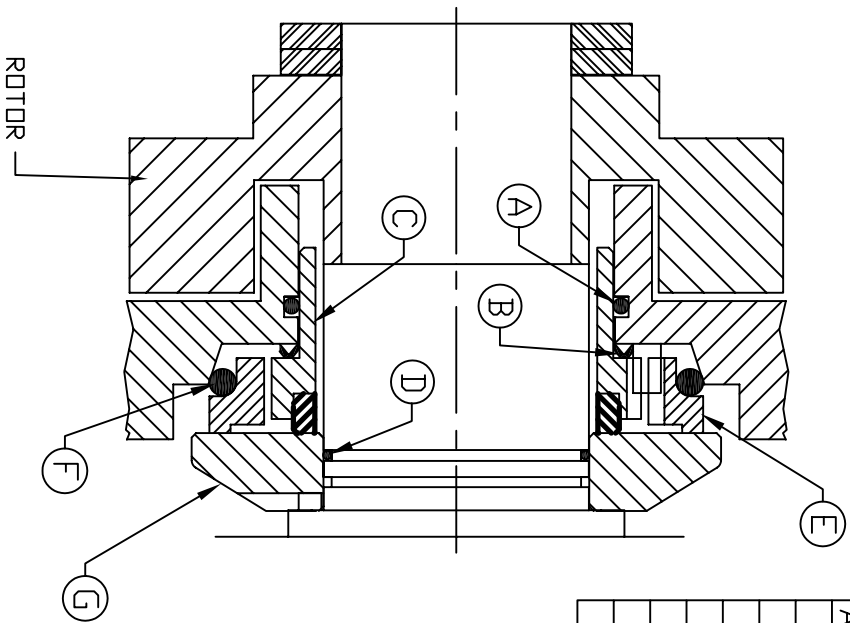
REV	DESCRIPTION	BY	DATE
-----	-------------	----	------

SEAL SIZE - 1-1/2

TYPE - WAUKESHA 30/34 DOUBLE

BILL OF MATERIAL

NO	QTY	DESCRIPTION	LENGTH	MATERIAL	DRAWING #	SHEET #
ASSY	1	WAUKESHA 30/34 DOUBLE SEAL	--	--	W150-1	1
A	1	BODY O-RING		EPR	OR327E	1
B	1	WAVE SPRING	--	17-7	W030-049912	1
C	1	INNER STATIONARY		SiC/316SS	W030Z-040600-2	5
D	2	SHAFT O-RING	--	EPR	OR028E	1
E	2	OUTER STATIONARY	--	CARBON	W030-040700-5	4
F	2	OUTER O-RING	--	BUNA	OR335B-50D	1
G	1	ROTARY		SiC	W030-030500-2	6



ZM TECHNOLOGIES
 2280 STEWART ST. UNIT #6
 STOCKTON CA, 95205
 PHONE (209) 547-1965
 FAX (209) 464-8140

NOTES:
 THIS IS PROPERTY OF ZMT, INC.
 USE OR MAKING COPIES OF THIS
 DRAWING WITHOUT WRITTEN
 AUTHORIZATION IS IS PROHIBITED.

TITLE: DOUBLE SEAL ASSEMBLY		DRAWN BY: RE		DWG #: W150-1		SHEET #: 1 OF 8		APPROVED: RE		Date: 1/7/04	
DATE: 1/7/04	GLAND STYLE: NONE										

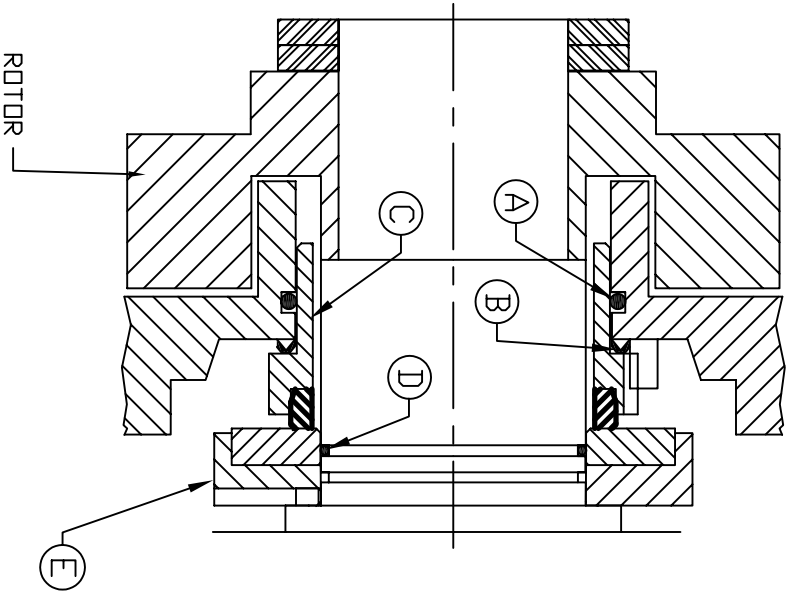
REV	DESCRIPTION	BY	DATE
-----	-------------	----	------

SEAL SIZE - 1-7/8

TYPE - WAUKESHA 60/130 ZMT SINGLE

BILL OF MATERIAL

NO	QTY	DESCRIPTION	LENGTH	MATERIAL	DRAWING #	SHEET #
ASSY	1	WAUKESHA 60/130 SINGLE SEAL	---	---	W188-2	1
A	1	BODY O-RING		EPR	OR331E	1
B	1	WAVE SPRING	---	17-7	W130-049912	1
C	1	INNER STATIONARY		SIC/316SS	W130Z-040600-2	5
D	2	SHAFT O-RING	---	EPR	OR131E	1
E	1	ROTARY		SIC	W130Z-030500-2	6



ZM TECHNOLOGIES
 2250 STEWART ST. UNIT #6
 STOCKTON CA. 95205
 PHONE (209) 547-1965
 FAX (209) 464-8140

TITLE: ZMT SINGLE SEAL ASSEMBLY
 WAUKESHA 60/130
 DATE: 1/7/04
 GLAND STYLE: NONE
 DRAWN BY: RE
 DWG #: W188-2
 SHEET #: 1 OF 6
 REV: --

NOTES:
 THIS IS PROPERTY OF ZMT, INC.
 USE OR MAKING COPIES OF THIS
 DRAWING WITHOUT WRITTEN
 AUTHORIZATION IS IS PROHIBITED.

APPROVED: RE
 Date: 1/7/04

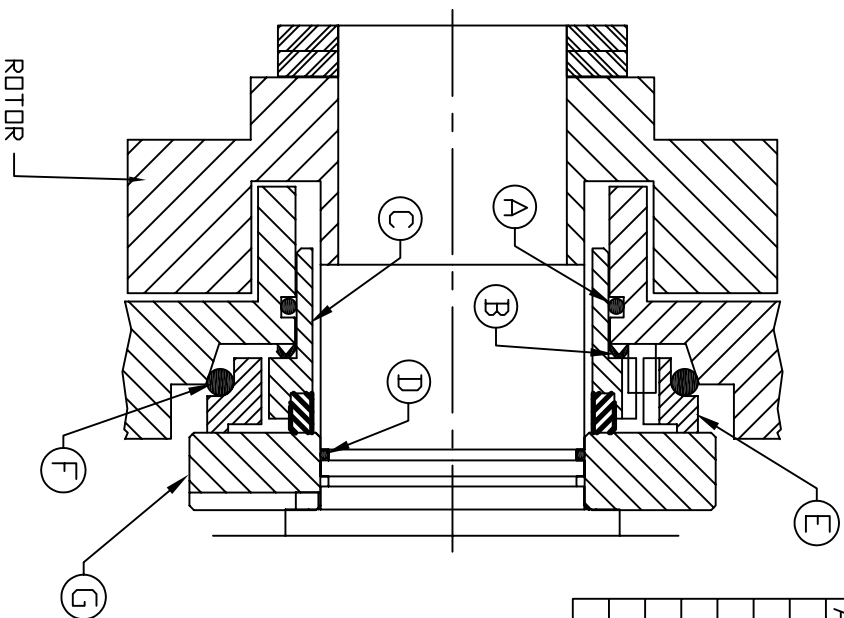
REV	DESCRIPTION	BY	DATE

SEAL SIZE - 1-7/8

TYPE - WAUKESHA 060/130 DOUBLE

BILL OF MATERIAL

NO	QTY	DESCRIPTION	LENGTH	MATERIAL	DRAWING #	SHEET #
ASSY	1	WAUKESHA 060/130 DOUBLE SEAL	---	---	W188-1	1
A	1	BODY O-RING		EPR	OR331E	1
B	1	WAVE SPRING	---	17-7	W130-049912	1
C	1	INNER STATIONARY		SiC/316SS	W130Z-040600-2	5
D	2	SHAFT O-RING	---	EPR	OR131E	1
E	2	OUTER STATIONARY	---	CARBON	W130-040700-5	4
F	2	OUTER O-RING	---	BUNA	OR357B-50D	1
G	1	ROTARY		SiC	W130-030500-2	6



2260 STEWART ST. UNIT #6
STOCKTON CA, 95205
PHONE (209) 547-1965
FAX (209) 464-8140

TITLE: DOUBLE SEAL ASSEMBLY

DATE: 1/7/04

GLAND STYLE: NONE

DRAWN BY: RE

DWG #: W188-1

SHEET #: 1 OF 8

APPROVED: RE

Date: 1/7/04

NOTES:
THIS IS PROPERTY OF ZMT, INC.
USE OR MAKING COPIES OF THIS
DRAWING WITHOUT WRITTEN
AUTHORIZATION IS IS PROHIBITED.

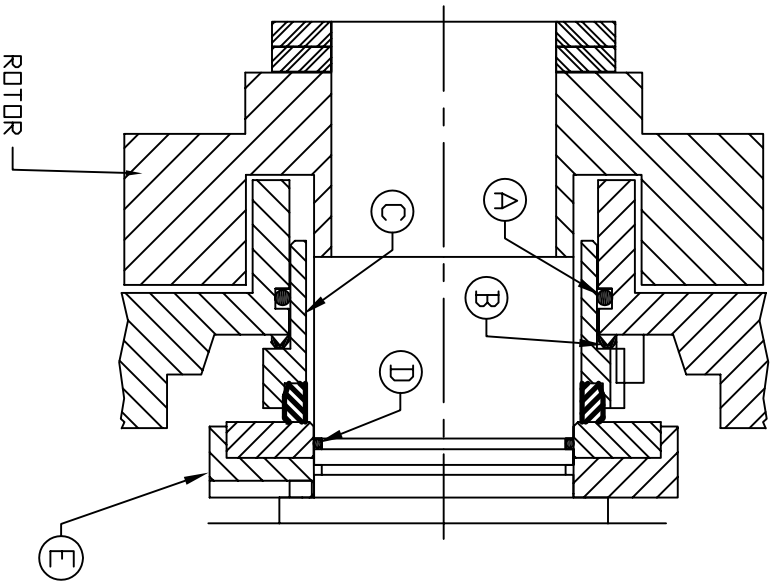
REV	DESCRIPTION	BY	DATE

SEAL SIZE - 2-3/4

TYPE - WAUKESHA 220 ZMT SINGLE

BILL OF MATERIAL

NO	QTY	DESCRIPTION	LENGTH	MATERIAL	DRAWING #	SHEET #
ASSY	1	WAUKESHA220 SINGLE SEAL	---	--	W220-2	1
A	1	BODY O-RING		EPR	OR338E	1
B	1	WAVE SPRING	---	17-7	W220-049912	1
C	1	INNER STATIONARY		SIC/316SS	W220Z-040600-2	5
D	2	SHAFT O-RING	---	EPR	OR145E	1
E	1	ROTARY		SIC	W220Z-030500-2	6



ZM TECHNOLOGIES
 2250 STEWART ST. UNIT #6
 STOCKTON CA. 95205
 PHONE (209) 547-1965
 FAX (209) 464-8140

TITLE: ZMT SINGLE SEAL ASSEMBLY

WAUKESHA 220

DATE: 1/7/04	GLAND STYLE: NONE	DRAWN BY: RE	DWG #: W275-2	REV	SHEET #: 1 OF 6	APPROVED: RE	Date: 1/7/04
--------------	-------------------	--------------	---------------	-----	-----------------	--------------	--------------

NOTES:
 THIS IS PROPERTY OF ZMT, INC.
 USE OR MAKING COPIES OF THIS
 DRAWING WITHOUT WRITTEN
 AUTHORIZATION IS IS PROHIBITED.

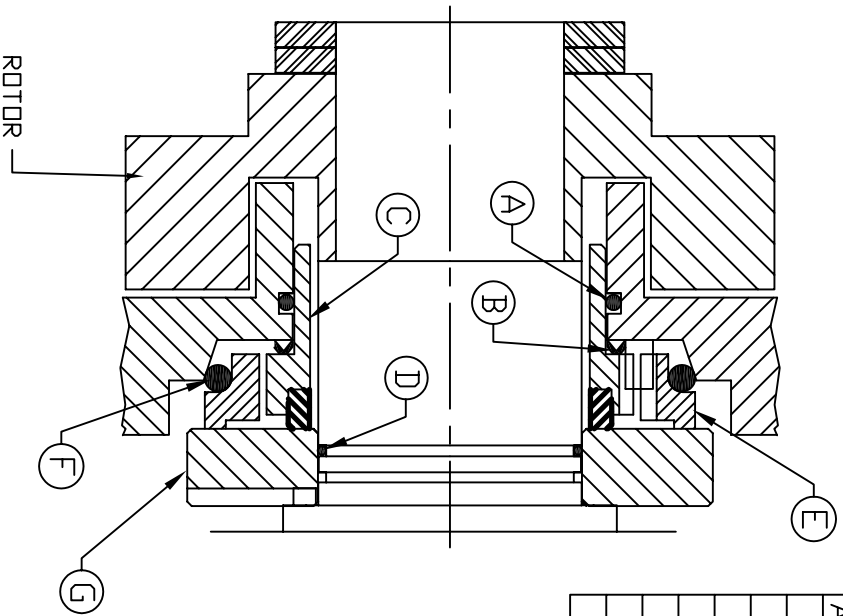
REV	DESCRIPTION	BY	DATE
-----	-------------	----	------

SEAL SIZE - 2-3/4

TYPE - WAUKESHA 220 DOUBLE

BILL OF MATERIAL

NO	QTY	DESCRIPTION	LENGTH	MATERIAL	DRAWING #	SHEET #
ASSY	1	WAUKESHA 220 DOUBLE SEAL	--	--	W275-1	1
A	1	BODY O-RING		EPR	OR338E	1
B	1	WAVE SPRING	--	17-7	W2200-049912	1
C	1	INNER STATIONARY		SIC/316SS	W220Z-040600-2	5
D	2	SHAFT O-RING	--	EPR	OR145E	1
E	2	OUTER STATIONARY	--	CARBON	W220-040700-5	4
F	2	OUTER O-RING	--	BUNA	OR344B-50D	1
G	1	ROTARY		SIC	W220-030500-2	6



ZM TECHNOLOGIES
 2250 STEWART ST. UNIT #6
 STOCKTON, CA. 95205
 PHONE (209) 547-1965
 FAX (209) 464-8140

TITLE: DOUBLE SEAL ASSEMBLY
 WAUKESHA 220
 DATE: 1/7/04
 GLAND STYLE: NONE
 DRAWN BY: RE
 DWG #: W275-1
 SHEET #: 1 OF 8
 APPROVED: RE
 Date: 1/7/04

NOTES:
 THIS IS PROPERTY OF ZMT, INC.
 USE OR MAKING COPIES OF THIS
 DRAWING WITHOUT WRITTEN
 AUTHORIZATION IS IS PROHIBITED.

REV	DESCRIPTION	BY	DATE